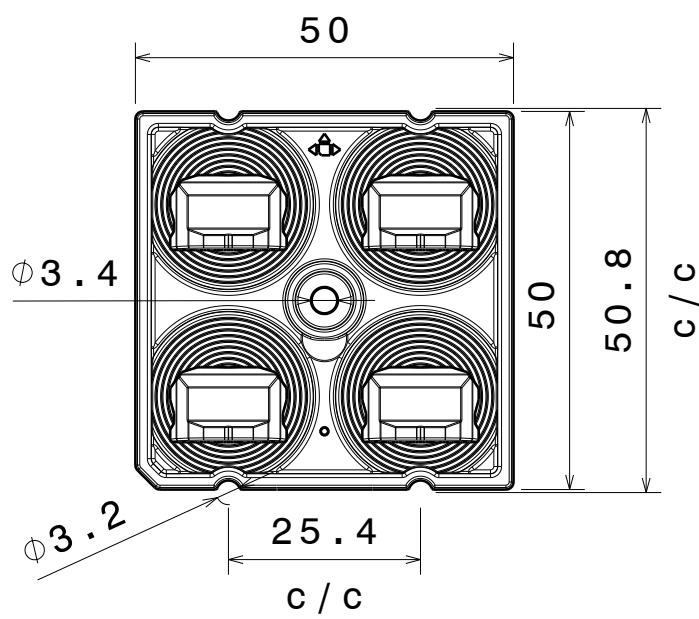
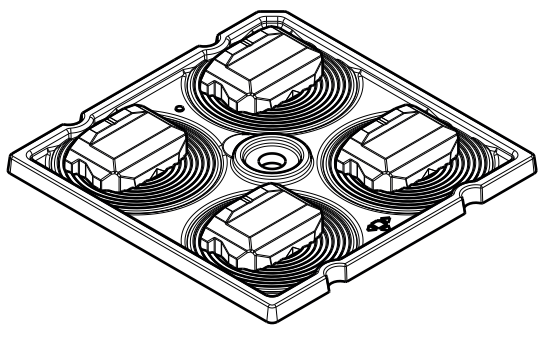


D C B A

4

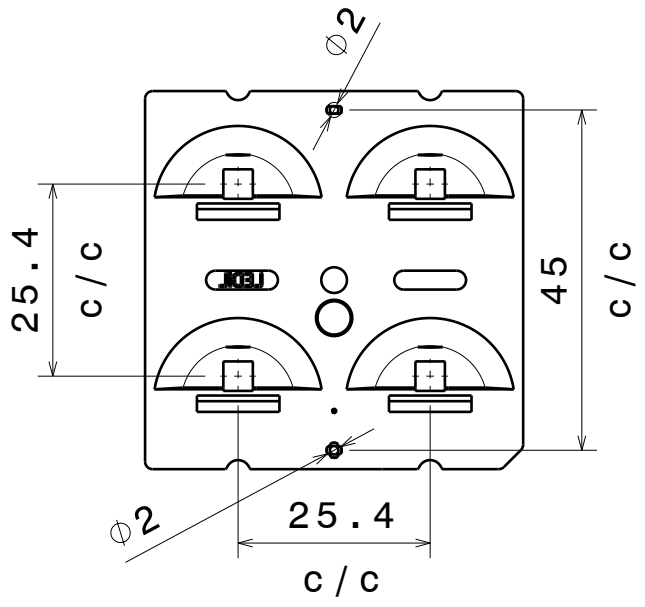


Top view
Scale: 1:1



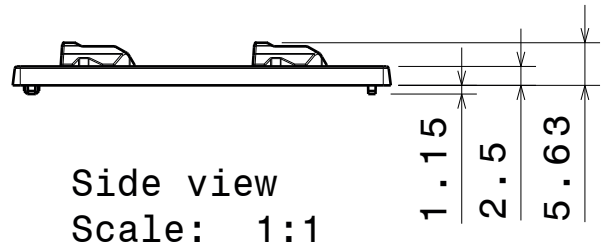
Isometric view
Scale: 1:1

3



Bottom view
Scale: 1:1

2



Side view
Scale: 1:1

4

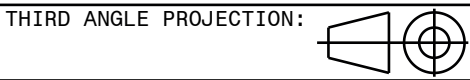
3

2

INDEX	PART NO	DESCRIPTION	MATERIAL	COLOUR
1	C15967	STRADA-2X2CSP-T2	PMMA 8N	clear

Plastic moulding general tolerances according to DIN 16901-130 and applies if not otherwise shown in the drawing. Silicone moulding general tolerances according to ISO 3302-1 Class M3 and applies if not otherwise shown in the drawing.

LEDiL LediL Oy
Salorankatu 10
FIN 24240 SALO
Finland



DRAWING TITLE
C15967_STRADA-2X2CSP-T2

This drawing is the property of LEDiL Oy. It may not be reproduced, copied or communicated without a written agreement with LEDiL Oy.

SIZE	PART NUMBER
A4	C15967

SCALE	1:1	WEIGHT	5,82 g	SHEET	1/1
-------	-----	--------	--------	-------	-----

1

1

D A